



输出功率: 约5~80W
行星齿轮无刷减速电机

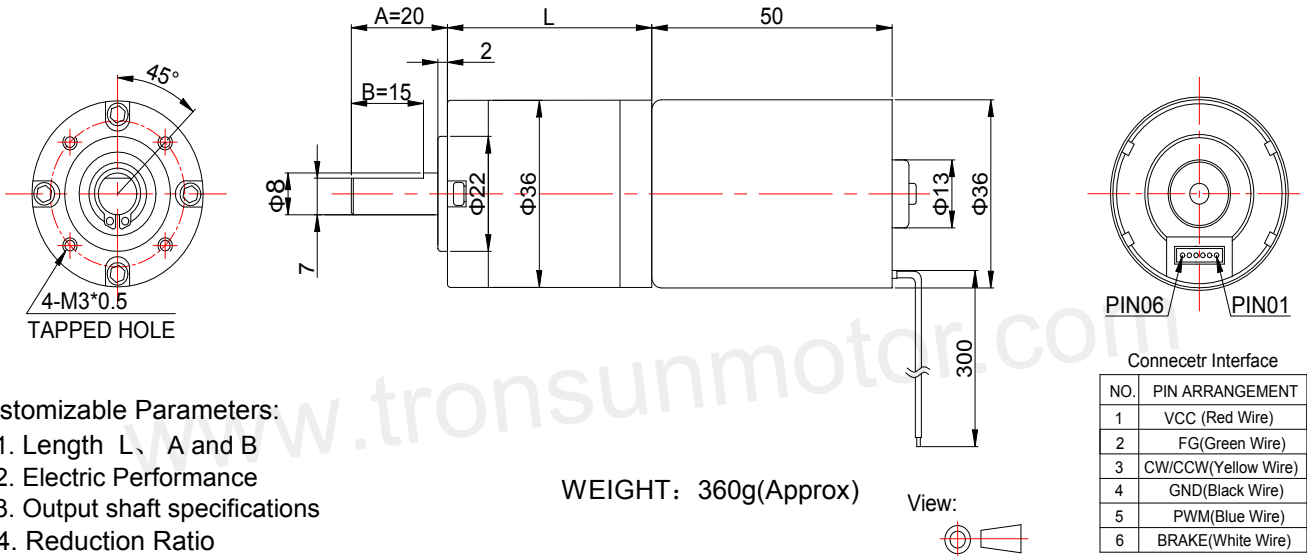
典型应用: 电动窗帘
智能家居
智能机器人
精密仪器

OUTPUT: APPROX 5~80W
Planetary Brushless Gear Motor

Typical Applications: Electric Curtains
Smart Home Appliance
Smart Robot
Precision Instruments

1. OUTLINE DRAWING:

UNIT:MM



- Customizable Parameters:
1. Length L、A and B
 2. Electric Performance
 3. Output shaft specifications
 4. Reduction Ratio

2. GEARBOX REDUCTION RATIO:

Gearbox Length (mm)	Stage Number	Reduction Ratio					Rated Torque	Bearable Maximum Instant Torque
		kg.cm						
26.5	1	3.7/1	5.2/1				8.0	20.0
34.5	2	14/1	19/1	27/1			15.0	30.0
42.5	3	51/1	71/1	100/1	139/1		25.0	50.0
50.5	4	189/1	264/1	369/1	515/1	721/1	30.0	60.0
58.5	5	977/1	1367/1	1910/1	2671/1	3736/1	45.0	80.0

3. MOTOR PERFORMANCE :

1N.m ≈ 10.2kg.cm ≈ 14.2oz.in

MODEL	REDUCTION RATIO	VOLTAGE		NO LOAD		AT MAXIMUM EFFICIENCY				STALL	
		OPERATING RANGE	NOMINAL	SPEED	CURRENT	SPEED	CURRENT	TORQUE	OUTPUT	TORQUE	CURRENT
36PA3650-19-12300	19/1	8.0~15.0	12.0	310	0.66	240	2.4	6.5	16.00	29.4	8.5
36PA3650-71-1282	71/1	8.0~15.0	12.0	82	0.66	64	2.4	20	13.13	86.9	8.5
36PA3650-100-1260	100/1	8.0~15.0	12.0	60	0.66	46.5	2.4	27	12.88	122.4	8.5
36PA3650-189-2416	189/1	8.0~26.0	24.0	16	0.16	13	0.68	40	5.33	214.5	2.9
36PA3650-264-1212	264/1	8.0~26.0	24.0	12	0.16	9.8	0.65	50	5.03	296.2	2.9