

输出功率：约0.5~12.0W

贵金属电刷马达/碳刷马达

典型应用：视听设备

精密仪器

家用电器

OUTPUT:APPROX 0.5~12.0W

Precious Metal-brush Motors/Carbon-brush Motors

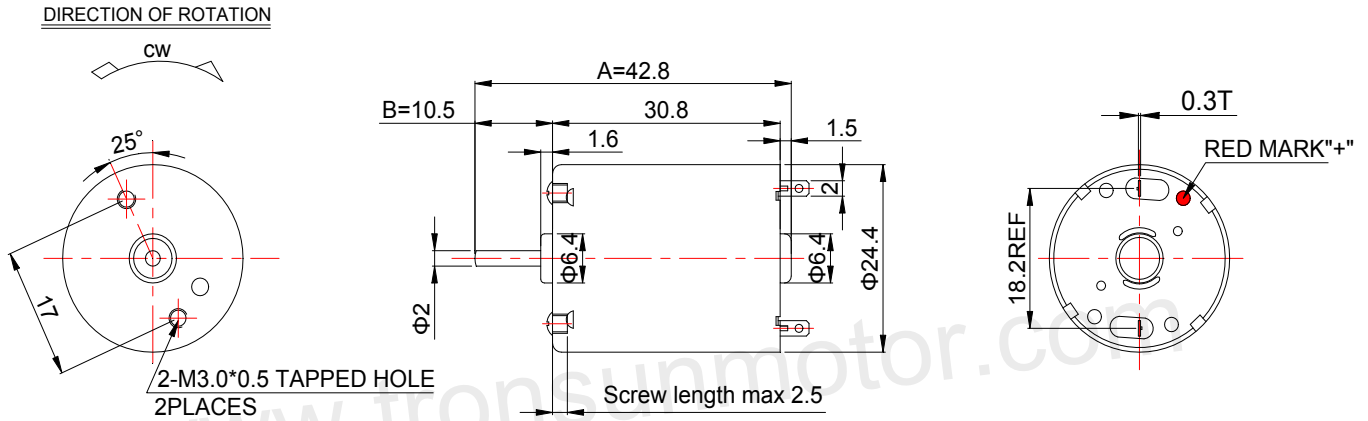
Typical Applications: Audiovisual Equipment

Precision Instrument

Household Appliances

1.OUTLINE DRAWING:

UNIT:MM

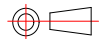


Customizable Parameters:

1. Length A and B
2. Electric Performance
3. Direction of Rotation

WEIGHT: 49g(Approx)

View:



2.MOTOR PERFORMANCE :

MODEL	VOLTAGE		NO LOAD		AT MAXIMUM EFFICIENCY				STALL			
	OPERATING RANGE	NOMINAL V	SPEED rpm	CURRENT A	SPEED rpm	CURRENT A	TORQUE g.cm	TORQUE mN.m	OUTPUT W	TORQUE g.cm	TORQUE mN.m	CURRENT A
RF-370CH-12520	6.0~13.0	12.0	3800	0.01	3284	0.08	15.8	1.55	0.53	116	11.38	0.48
RF-370CH-24110	3.0~7.0	6.0	9100	0.08	7985	0.57	23.2	2.28	1.90	189	18.55	4.10
RK-370SH-13390	6.0~24.0	24.0	8000	0.01	7000	0.18	33	3.24	2.37	275	26.99	1.32
RK-370SH-2776	3.0~12.0	12.0	19600	0.25	16400	1.30	56	5.50	9.42	352	34.54	6.85

