



输出功率: 约1.0~12.0W
普通金属电刷马达/碳刷马达

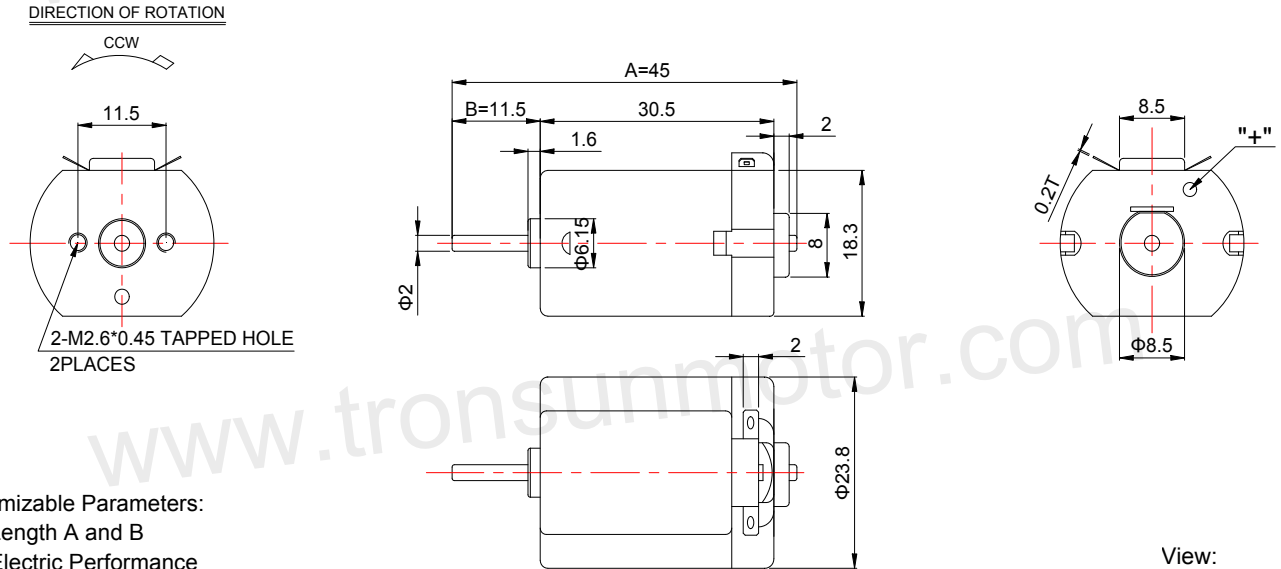
典型应用: 电动玩具
无线控制模型
家用电器

OUTPUT: APPROX 1.0~12.0W
Metal-brush Motors/Carbon-brush Motors

Typical Applications: Electric Toys
Wireless Control Model
Household Appliances

1. OUTLINE DRAWING:

UNIT:MM

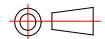


Customizable Parameters:

1. Length A and B
2. Electric Performance
3. Direction of Rotation
4. Eccentric Wheel is available

WEIGHT: 36g(Approx)

View:



2. MOTOR PERFORMANCE :

MODEL	VOLTAGE		NO LOAD		AT MAXIMUM EFFICIENCY					STALL		
	OPERATING RANGE	NOMINAL V	SPEED rpm	CURRENT A	SPEED rpm	CURRENT A	TORQUE g.cm	TORQUE mN.m	OUTPUT W	TORQUE g.cm	TORQUE mN.m	CURRENT A
FC-280SA-17160	3.0~10.0	9.0	8100	0.09	6682	0.43	35	3.43	2.40	200	19.63	2.00
FC-280SA-10435	6.0~25.0	24.0	8300	0.04	9538	0.76	41.3	4.05	4.04	190	18.65	0.75

