

输出功率: 约0.1~0.8W

贵金属电刷马达

典型应用: 电子门锁
智能家居
精密仪器
减速箱

OUTPUT: APPROX 0.1~0.8W

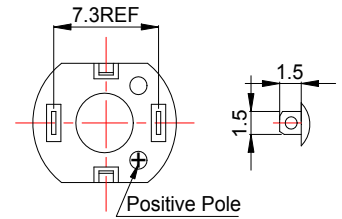
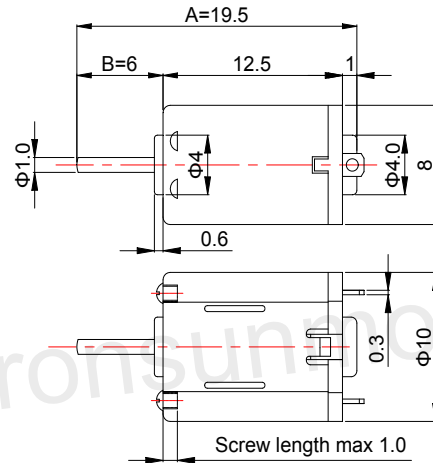
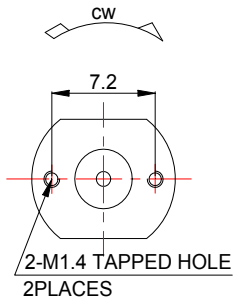
Precious Metal-brush Motors

Typical Applications: Electronic Door Lock
Smart Home Appliance
Precision Instruments
Gear Box

1. OUTLINE DRAWING:

UNIT:MM

DIRECTION OF ROTATION

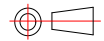


Customizable Parameters:

1. Length A and B
2. Electric Performance
3. Direction of Rotation
4. Eccentric Wheel is available

WEIGHT: 2.6g(Approx)

View:



2. MOTOR PERFORMANCE :

| MODEL | VOLTAGE | | NO LOAD | | | AT MAXIMUM EFFICIENCY | | | | STALL | | |
|-----------------|-----------------|---------|---------|---------|-------|-----------------------|--------|--------|--------|---------|------|------|
| | OPERATING RANGE | NOMINAL | SPEED | CURRENT | SPEED | CURRENT | TORQUE | OUTPUT | TORQUE | CURRENT | | |
| | | V | rpm | A | rpm | A | g.cm | mN.m | W | g.cm | mN.m | A |
| FF-1012TA-08150 | 2.0~5.0 | 5.0 | 30000 | 0.09 | 22465 | 0.268 | 2.3 | 0.22 | 0.52 | 9 | 0.88 | 0.8 |
| FF-1012TA-09125 | 2.0~4.0 | 3.0 | 20000 | 0.08 | 15000 | 0.24 | 1.9 | 0.18 | 0.29 | 7.5 | 0.74 | 0.72 |
| FF-1012TA-06220 | 3.0~9.0 | 9.0 | 34000 | 0.06 | 25500 | 0.18 | 2.6 | 0.26 | 0.68 | 10.5 | 1.03 | 0.56 |

