



输出功率: 约0.5~2.0W  
贵金属电刷马达/碳刷马达

典型应用: 电子门锁  
智能家居  
精密仪器

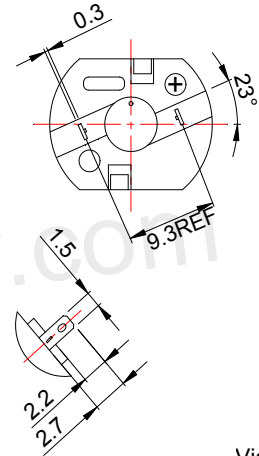
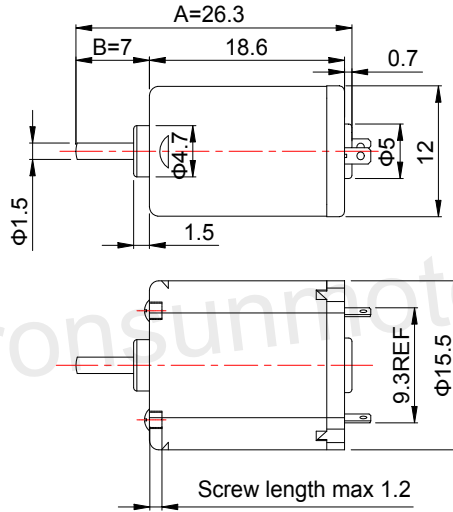
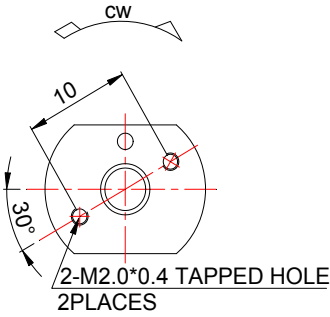
OUTPUT: APPROX 0.5~2.0W  
Precious Metal-brush Motors/Carbon-brush Motors

Typical Applications: Electronic Door Lock  
Smart Home Appliance  
Precision Instruments

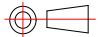
## 1. OUTLINE DRAWING:

UNIT:MM

DIRECTION OF ROTATION



View:



Customizable Parameters:

1. Length A and B
2. Electric Performance
3. Direction of Rotation
4. Eccentric Wheel is available

WEIGHT: 10g(Approx)

## 2. MOTOR PERFORMANCE :

MODEL	VOLTAGE		NO LOAD		AT MAXIMUM EFFICIENCY				STALL			
	OPERATING RANGE	NOMINAL V	SPEED rpm	CURRENT A	SPEED rpm	CURRENT A	TORQUE g.cm	TORQUE mN.m	OUTPUT W	TORQUE g.cm	TORQUE mN.m	CURRENT A
FF-030PA-08250	3.0~7.0	6.0	10500	0.035	8103	0.12	4.6	0.45	0.38	20	1.96	0.4
FF-030PA-12115	2.0~4.0	3.5	12000	0.085	9342	0.30	5.98	0.59	0.57	27	2.65	1.05
FF-030PA-11150	2.0~6.0	5.0	14000	0.065	11007	0.25	5.3	0.52	0.60	25	2.45	0.92

