



输出功率：约0.3~10.0W
精密金属齿轮减速电机

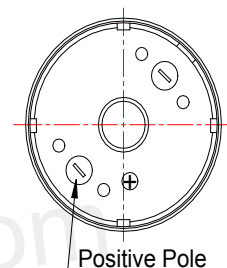
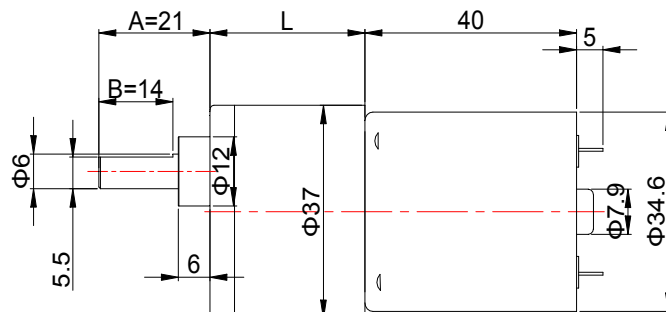
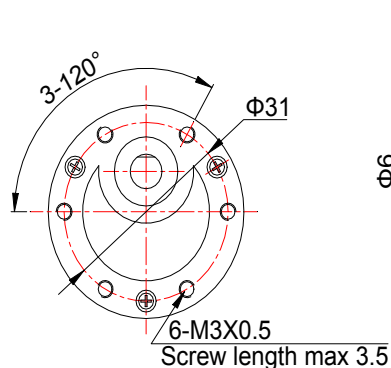
OUTPUT:APPROX 0.3~10.0W
Precision Metal Gear Motor

典型应用：智能家居
智能机器人
自动售货机
打印机

Typical Applications: Smart Home Appliance
Smart Robot
Vending Machine
Printer

1.OUTLINE DRAWING:

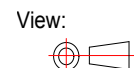
UNIT:MM



Customizable Parameters:

1. Length L、A and B
2. Electric Performance
3. Output shaft specifications
4. Reduction Ratio

WEIGHT: 240g(Approx)



2.GEARBOX REDUCTION RATIO:

Gearbox Length (mm)	Stage Number	Reduction Ratio						Rated Torque	Bearable Maximum Instant Torque
		kg.cm							
21.5	2 (Enhanced)	8.9/1	10.3/1					5.0	10.0
21.5	3	18/1	26/1	31/1				5.0	10.0
24	4	40/1	46/1	55/1	68/1	79/1	93/1	7.0	13.0
26.5	5	102/1	120/1	165/1	202/1	238/1	278/1	10.0	20.0
29	6	306/1	359/1	420/1	495/1	516/1	606/1	12.0	20.0
31.5	7	666/1	782/1	918/1				15.0	25.0
31.5	5(Enhanced)	120/1						30.0	50.0

3.MOTOR PERFORMANCE :

1N.m≈10.2kg.cm≈14.2oz.in

MODEL	REDUCTION RATIO	VOLTAGE		NO LOAD		AT MAXIMUM EFFICIENCY				STALL	
		OPERATING RANGE	NOMINAL	SPEED	CURRENT	SPEED	CURRENT	TORQUE	OUTPUT	TORQUE	CURRENT
V	rpm		A	rpm	A	kg.cm	W	kg.cm	A		
37GB3540-18-12400	18/1	5.0~13.0	12.0	400	0.13	336	0.87	1.2	4.14	7.6	4.8
37GB3540-93-1277	93/1	5.0~13.0	12.0	77	0.13	66	0.79	5.0	3.38	35.6	4.8
37GB3540-278-1225	278/1	5.0~13.0	12.0	25	0.14	21	0.83	14.0	3.02	95.1	4.8
37GB3540-420-1217	420/1	5.0~13.0	12.0	17	0.14	14.5	0.82	18.0	2.68	129.0	4.8
37GB3540-666-1210.5	666/1	5.0~13.0	12.0	10.5	0.15	9.1	0.75	20.0	1.87	166.0	4.8