



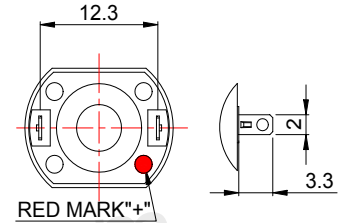
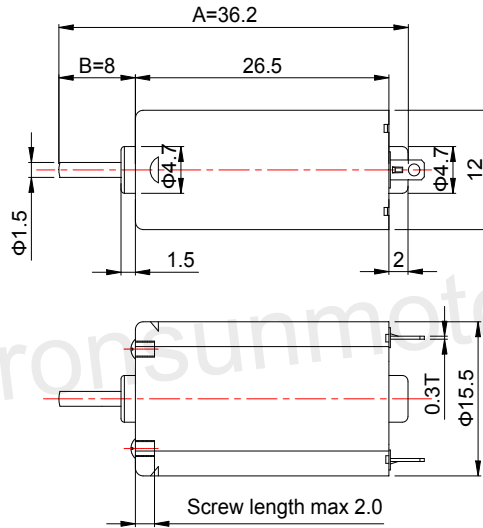
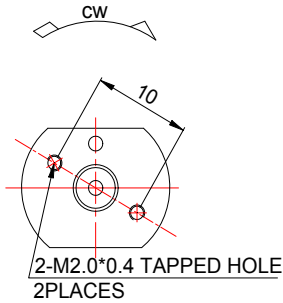
输出功率：约0.5~2.0W  
贵金属电刷马达/碳刷马达  
典型应用：电子门锁  
智能家居  
精密仪器

OUTPUT:APPROX0.5~2.0W  
Precious Metal-brush Motors/Carbon-brush Motors  
Typical Applications: Electronic Door Lock  
Smart Home Appliance  
Precision Instruments

## 1.OUTLINE DRAWING:

UNIT:MM

DIRECTION OF ROTATION

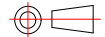


Customizable Parameters:

1. Length A and B
2. Electric Performance
3. Direction of Rotation
4. Eccentric Wheel is available

WEIGHT: 17g(Approx)

View:



## 2.MOTOR PERFORMANCE :

MODEL	VOLTAGE		NO LOAD		AT MAXIMUM EFFICIENCY					STALL	
	OPERATING RANGE	NOMINAL V	SPEED rpm	CURRENT A	SPEED rpm	CURRENT A	TORQUE g.cm	TORQUE mN.m	OUTPUT W	TORQUE g.cm	CURRENT A
FF-050SH-13105	3.0~7.0	6.0	14000	0.075	11442	0.34	10.6	1.04	1.24	59	1.5
FF-050SH-11170	3.0~8.0	7.0	10400	0.045	8455	0.20	8.4	0.82	0.73	45	0.85
FK-050SH-09190	3.0~12.0	12.0	14600	0.065	11200	0.25	12	1.18	1.38	52	0.82

