



输出功率：约0.2~2.0W
贵金属电刷马达

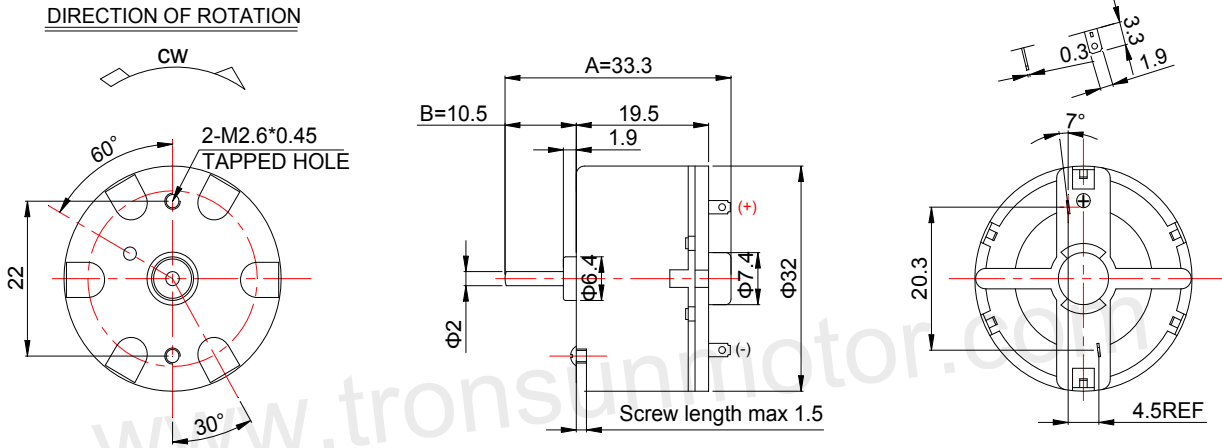
典型应用：视听设备
精密仪器
家用电器

OUTPUT:APPROX 0.2~2.0W
Precious Metal-brush Motors

Typical Applications: Audiovisual Equipment
Precision Instrument
Household Appliances

1.OUTLINE DRAWING:

UNIT:MM

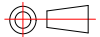


Customizable Parameters:

1. Length A and B
2. Electric Performance
3. Direction of Rotation

WEIGHT: 42g(Approx)

View:



2.MOTOR PERFORMANCE :

MODEL	VOLTAGE		NO LOAD		AT MAXIMUM EFFICIENCY					STALL		
	OPERATING RANGE	NOMINAL	SPEED	CURRENT	SPEED	CURRENT	TORQUE	OUTPUT	TORQUE	CURRENT		
		V	rpm	A	rpm	A	g.cm	mN.m	W	g.cm	mN.m	A
RF-500TB-14415	2.5~6.0	5.0	3100	0.026	2542	0.12	12.6	1.24	0.33	70	6.87	0.54
RF-500TB-12560	3.0~7.0	6.0	2700	0.02	2095	0.07	14.1	1.38	0.30	63	6.18	0.24
RF-500TB-18280	2.0~4.0	3.0	2700	0.03	2230	0.16	12	1.18	0.27	60	5.89	0.7

