



输出功率：约0.2~2.0W  
精密金属齿轮减速电机

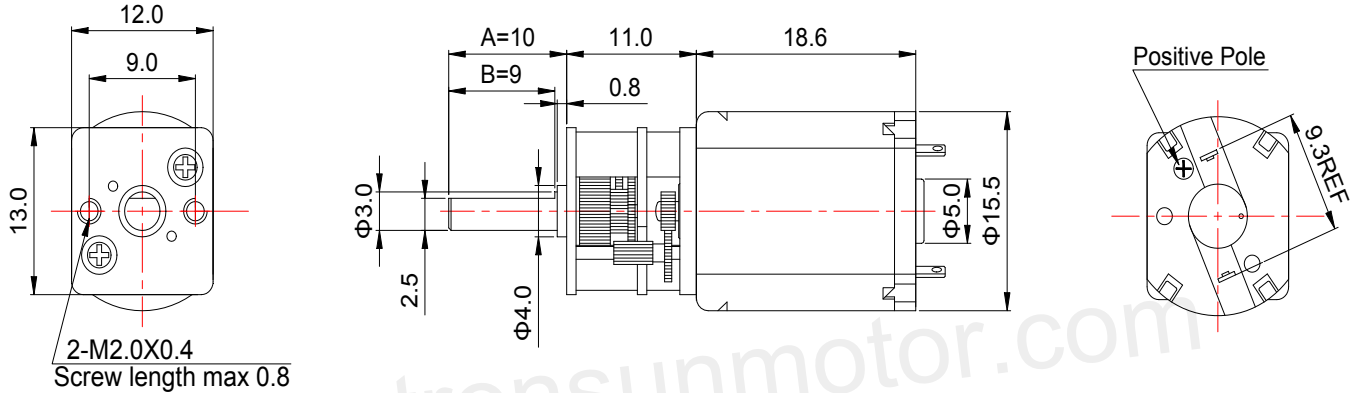
OUTPUT:APPROX 0.2~2.0W  
Precision Metal Gear Motor

典型应用： 电子门锁  
智能家居  
智能机器人  
电动玩具

Typical Applications: Electronic Door Lock  
Smart Home Appliance  
Smart Robot  
Electric Toys

## 1.OUTLINE DRAWING:

UNIT:MM



Customizable Parameters:

1. Length A and B
2. Electric Performance
3. Output shaft specifications
4. Reduction Ratio

View:



WEIGHT: 16.2g(Approx)

## 2.GEARBOX REDUCTION RATIO:

Gearbox Length (mm)	Stage Number	Reduction Ratio						Rated Torque	Bearable Maximum Instant Torque
		g.cm							
11	2	3/1	7/1	10/1				200	500
	4	20/1	30/1	35/1	50/1	63/1	86/1	300	600
	5	115/1	150/1	210/1	250/1	360/1		500	1200

## 3.MOTOR PERFORMANCE :

1mN.m $\approx$ 10.2g.cm $\approx$ 0.142oz.in

MODEL	REDUCTION RATIO	VOLTAGE		NO LOAD		AT MAXIMUM EFFICIENCY				STALL	
		OPERATING RANGE	NOMINAL	SPEED	CURRENT	SPEED	CURRENT	TORQUE	OUTPUT	TORQUE	CURRENT
			V	rpm	A	rpm	A	g.cm	W	g.cm	A
13GF030-35-03485	35/1	2.0~4.0	3.0	485	0.16	380	0.51	130	0.51	590	2.1
13GF030-250-0370	250/1	2.4~4.0	3.0	70	0.13	57	0.54	690	0.40	3750	2.4
13GF030-210-0968	210/1	3.0~9.0	9.0	68	0.03	54	0.11	570	0.32	2700	0.42