



输出功率: 约8~250W

碳刷马达

典型应用: 家用电器  
电动玩具  
电动工具

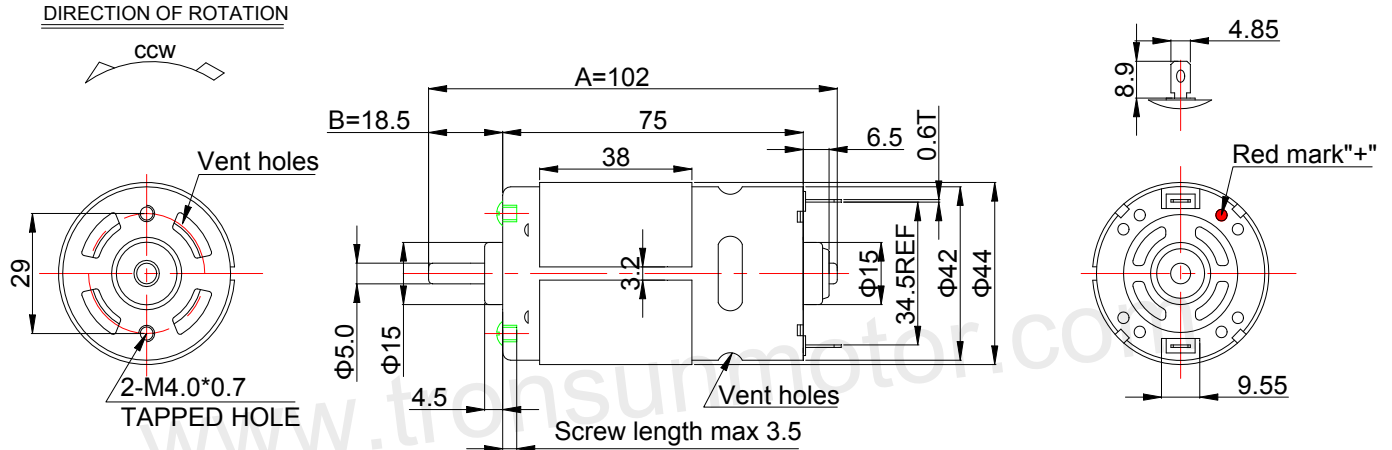
OUTPUT: APPROX 8~250W

Carbon-brush Motors

Typical Applications: Household Appliances  
Electric Toys  
Electrical Tools

## 1. OUTLINE DRAWING:

UNIT:MM

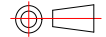


Customizable Parameters:

1. Length A and B
2. Electric Performance
3. Direction of Rotation

WEIGHT: 395g(Approx)

View:



## 2. MOTOR PERFORMANCE :

MODEL	VOLTAGE		NO LOAD		AT MAXIMUM EFFICIENCY				STALL			
	OPERATING RANGE	NOMINAL	SPEED	CURRENT	SPEED	CURRENT	TORQUE	OUTPUT	TORQUE	CURRENT		
		V	rpm	A	rpm	A	g.cm	mN.m	W	g.cm	mN.m	A
RS-795PH-3760R	5.0~25.0	24.0	6500	0.19	5739	1.43	434	42.59	25.55	3710	364.08	10.80
RS-795PH-6520R	3.0~12.0	6.0	3850	0.56	3361	3.85	482	47.30	16.62	3800	372.91	26.50
RS-795PH-4740R	5.0~25.0	24.0	8800	0.38	7775	2.90	650	63.79	51.83	5580	547.60	21.90

